

GETTING STARTED GUIDE

NI PXIe-7972R

NI FlexRIO™ FPGA Module for PXI Express

This document explains how to install your NI FlexRIO system, comprised of the NI PXIe-7972R (NI 7972R) FlexRIO FPGA module and an NI FlexRIO adapter module.

For information about the device specifications, refer to the *NI PXIe-7972R Specifications*, available at **Start»All Programs»National Instruments»NI FlexRIO**, and at ni.com/manuals.

For detailed information about the features and configuration options specific to the NI FlexRIO FPGA module, refer to the *NI FlexRIO Help*, available at **Start»All Programs»National Instruments»NI FlexRIO**, and at ni.com/manuals.

Contents

How to Use Your NI FlexRIO Documentation Set.....	2
Required Components.....	3
Installing the Application Software and Driver.....	5
Installing the NI FlexRIO Devices.....	6
Unpacking.....	6
Preparing the Environment.....	6
Installing the NI FlexRIO FPGA Module.....	7
Confirming that Measurement & Automation Explorer (MAX) Recognizes the Device.....	8
Installing the NI FlexRIO Adapter Module.....	9
Installing PXI EMC Filler Panels.....	10
NI FlexRIO FPGA Module Signals.....	10
Compliance and Certifications.....	12
Safety.....	12
Electromagnetic Compatibility.....	12
CE Compliance	12
Online Product Certification.....	13
Environmental Management.....	13
Electromagnetic Compatibility Guidelines.....	13
Worldwide Support and Services.....	14

How to Use Your NI FlexRIO Documentation Set

Figure 1. How to Use Your NI FlexRIO Documentation Set

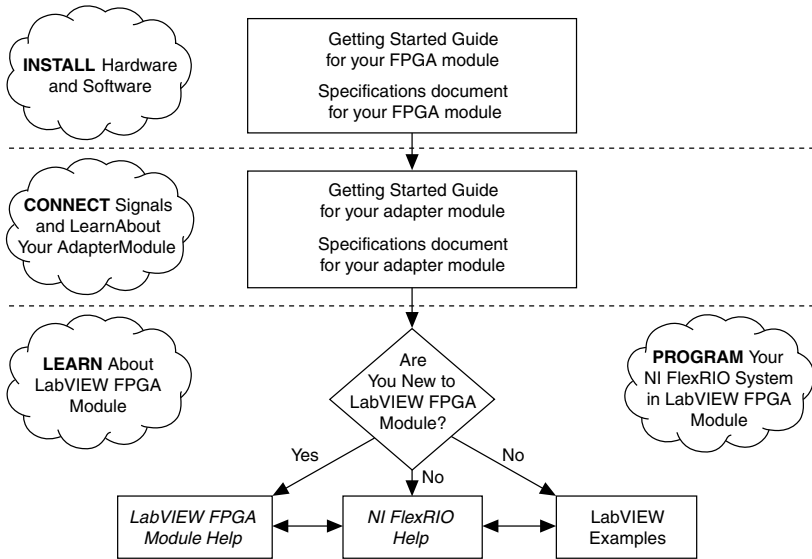


Table 1. NI FlexRIO Documentation Locations and Descriptions

Document	Location	Description
Getting started guide for your FPGA module	Available from the Start menu and at ni.com/manuals .	Contains installation instructions for your NI FlexRIO system.
Specifications document for your FPGA module	Available from the Start menu and at ni.com/manuals .	Contains specifications for your NI 7972R module.
Getting started guide for your adapter module	Available from the Start menu and at ni.com/manuals .	Contains signal information, examples, and CLIP details for your adapter module.
Specifications document for your adapter module	Available from the Start menu and at ni.com/manuals .	Contains specifications for your adapter module.
<i>LabVIEW FPGA Module Help</i>	Embedded in <i>LabVIEW Help</i> and at ni.com/manuals .	Contains information about the basic functionality of the LabVIEW FPGA Module.

Table 1. NI FlexRIO Documentation Locations and Descriptions (Continued)

Document	Location	Description
<i>NI FlexRIO Help</i>	Available from the Start menu and at ni.com/manuals .	Contains information about the FPGA module, adapter module, and CLIP configuration information.
LabVIEW Examples	Available in NI Example Finder. In LabVIEW, click Help»Find Examples»Hardware Input and Output»FlexRIO .	Contains examples of how to run FPGA VIs and Host VIs on your device.
IPNet	ni.com/ipnet	Contains LabVIEW FPGA functions and intellectual property to share.
NI FlexRIO product page	ni.com/flexrio	Contains product information and data sheets for NI FlexRIO devices.

Required Components

The following items are necessary to set up and use your NI FlexRIO system:

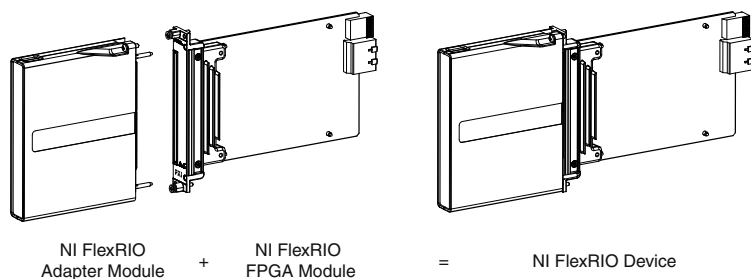
- The NI FlexRIO hardware device, comprised of the following items:
 - NI 7972R
 - NI FlexRIO adapter module



Note You can use the NI FlexRIO FPGA module without an adapter module for coprocessing or peer-to-peer streaming. The adapter module installation instructions in this document do not apply to these circumstances.

The following figure shows the combined module.

Figure 2. Combining Your Adapter Module and FPGA Module



- The following software packages:

- LabVIEW
- LabVIEW FPGA Module
- NI FlexRIO Support



Note The most recent version of NI FlexRIO Support is available at ni.com/downloads. Search for `flexrio` to download the latest version of NI FlexRIO Support.

- NI FlexRIO Adapter Module Support¹



Note The most recent version of NI FlexRIO Adapter Module Support is available at ni.com/downloads. Search for `flexrio adapter module support` to download the latest version of NI FlexRIO Adapter Module Support. You do not need this software if you are not using an adapter module.

- (Optional) LabVIEW Real-Time Module.
- A PXI Express/CompactPCI Express chassis
- One of the following controllers:
 - PXI Express/CompactPCI Express embedded controller
 - MXI kit and a PC
- One of the following operating systems:
 - Windows 8
 - Windows 7

¹ The NI 1483 adapter module requires the NI-IMAQ instrument driver instead of NI FlexRIO Adapter Module Support.

- Windows Vista
- Windows XP Pro x32 Service Pack 2 or Service Pack 3
- At least one cable for connecting signals to the NI FlexRIO device. Refer to your adapter module documentation for a list of applicable cables and accessories for your NI FlexRIO system.

Related Information

[Installing the Application Software and Driver](#) on page 5

Installing the Application Software and Driver

Before installing your hardware, you must install the application software and instrument driver. Visit ni.com/info and enter `rdsoftwareversion` as the Info Code to determine which minimum software versions you need for your device. Install the software in the following order:

1. Install LabVIEW.

Refer to the *LabVIEW Installation Guide* for installation instructions for LabVIEW and system requirements for the LabVIEW software. Refer to the *LabVIEW Upgrade Notes* for additional information about upgrading to the most recent version of LabVIEW for Windows. Documentation for LabVIEW is available at ni.com/manuals and by selecting **Start»All Programs»National Instruments»LabVIEW»LabVIEW Manuals**.

2. Install the LabVIEW FPGA Module.

Refer to the *LabVIEW FPGA Module Release and Upgrade Notes* for installation instructions and information about getting started with the LabVIEW FPGA Module. Documentation for the LabVIEW FPGA Module is available at ni.com/manuals and by selecting **Start»All Programs»National Instruments»LabVIEW»LabVIEW Manuals**.

3. (Optional) Install the LabVIEW Real-Time Module.

Refer to the *LabVIEW Real-Time Module Release and Upgrade Notes* for system requirements, installation instructions, and additional information about using the LabVIEW Real-Time Module.

4. Install NI FlexRIO.

Refer to the *NI FlexRIO Readme* on the NI FlexRIO installation media for system requirements and installation instructions for NI FlexRIO Support. Documentation for NI FlexRIO Support is available at ni.com/manuals and by selecting **Start»All Programs»National Instruments»NI FlexRIO**.



Note If you are not using an adapter module, skip step 5.

5. Install NI FlexRIO Adapter Module Support.

Refer to the *NI FlexRIO Adapter Module Support Readme* on the NI FlexRIO Adapter Module Support installation media for system requirements and installation instructions. Documentation for NI FlexRIO Adapter Module Support is available at ni.com/manuals

Related Information

- [Required Components](#) on page 3
- [NI FlexRIO FPGA Module Signals](#) on page 10
- [Installing the NI FlexRIO FPGA Module](#) on page 7

Installing the NI FlexRIO Devices



Note You must install the software before installing the hardware.

Unpacking

The NI 7972R modules ship in antistatic packages to prevent electrostatic discharge from damaging module components. To prevent such damage when handling the modules, ground yourself using a grounding strap or by holding a grounded object, such as your computer chassis, and complete the following steps:

1. Touch the antistatic package to a metal part of the computer chassis before removing the module from the package.



Caution Never touch the exposed pins of connectors.

2. Remove each module from the package and inspect it for loose components or any other sign of damage.

Notify NI if the modules appear damaged in any way. Do not install a damaged module into the chassis.

Preparing the Environment

Ensure that the environment you are using the NI 7972R in meets the following specifications.

Operating temperature (IEC.....0 °C to 55 °C
60068-2-1, IEC60068-2-2)

Operating humidity.....10% to 90% RH, noncondensing
(IEC 60068-2-56)

Pollution Degree.....2

Maximum altitude.....2,000 m at 25 °C ambient temperature

Indoor use only.



Note Refer to the *NI PXIe-7972R Specifications* at ni.com/manuals for complete specifications.

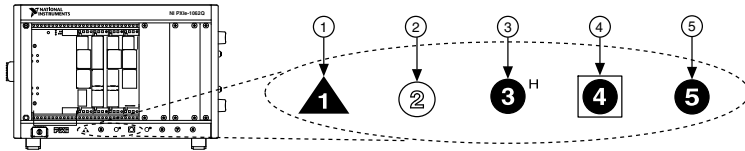
Installing the NI FlexRIO FPGA Module



Note You must install the software before you install the hardware.

1. Power off and unplug the PXI Express chassis. Refer to your chassis manual to install or configure the chassis.
2. Identify a supported PXI Express slot in the chassis. The figure below shows the symbols that indicate the slot types in a PXI Express chassis.

Figure 3. Symbols for PXI Express/PXI Express HybridSlots

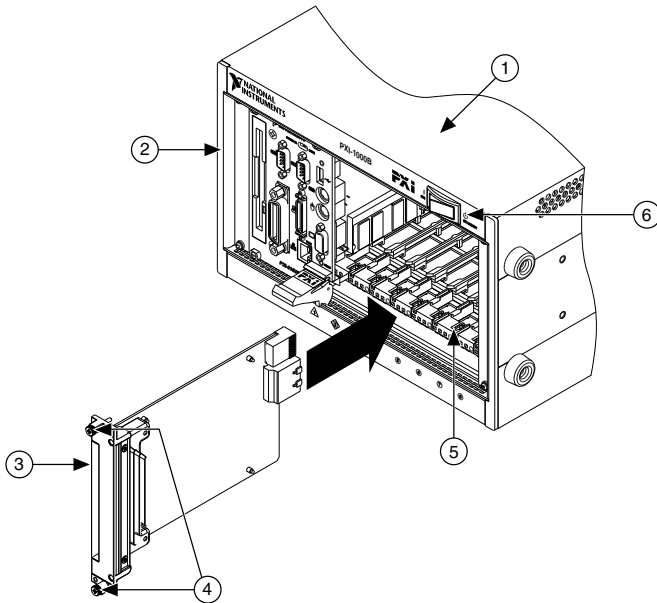


- | | |
|---------------------------------------|-----------------------------------|
| 1. PXI Express System Controller Slot | 4. PXI Express System Timing Slot |
| 2. PXI Peripheral Slot | 5. PXI Express Peripheral Slot |
| 3. PXI Express Hybrid Peripheral Slot | |

Refer to the chassis documentation for specifications.

3. Remove the filler panel of an unused PXI Express slot.
4. Touch any metal part of the chassis to discharge any static electricity. Place the PXI Express module edges into the module guides at the top and bottom of the chassis, and slide the module into the chassis until the module is fully inserted, as shown in the figure below.

Figure 4. Installing an NI FlexRIO FPGA Module in the PXI Express Chassis



- | | |
|----------------------------------|--------------------------------|
| 1. PXI Express Chassis | 4. Front-Panel Mounting Screws |
| 2. PXI Express System Controller | 5. Module Guides |
| 3. NI FlexRIO FPGA Module | 6. Power Switch |

- Secure the device front panel to the chassis front panel mounting rail using the front panel mounting screws.
- Plug in and power on the PXI Express chassis.

Related Information

[Installing the Application Software and Driver](#) on page 5

Confirming that Measurement & Automation Explorer (MAX) Recognizes the Device

Use Measurement & Automation Explorer (MAX) to configure your National Instruments hardware. MAX informs other programs about which devices reside in the system and how they are configured. MAX is automatically installed with NI FlexRIO Support.

- Launch MAX by navigating to **Start»All Programs»National Instruments»NI MAX** or by clicking the NI MAX desktop icon.
- In the Configuration pane, double-click **Devices and Interfaces** to see the list of installed devices. Installed devices appear under the name of their associated chassis.

- Expand your **Chassis** tree item. MAX lists all devices installed in the chassis. Your default device names may vary.



Note If you do not see your hardware listed, press <F5> to refresh the list of installed devices. If the device is still not listed, power off the system, ensure the device is correctly installed, and restart.

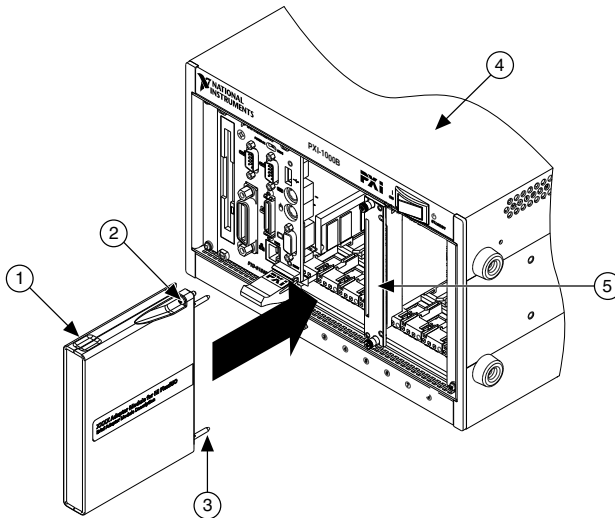
Installing the NI FlexRIO Adapter Module



Note Skip this step if you are not using an adapter module.

- Gently insert the guide pins and the high-density card edge of the NI FlexRIO adapter module into the corresponding connectors of the NI FlexRIO FPGA module, as shown in the figure below.

Figure 5. Installing the NI FlexRIO Adapter Module



- | | |
|------------------------------|----------------------------|
| 1. NI FlexRIO Adapter Module | 4. PXI/PXI Express Chassis |
| 2. Captive Screw | 5. NI FlexRIO FPGA Module |
| 3. Guide Pin | |

The connection may be tight, but do not force the adapter module into place.

- Tighten the captive screws on the NI FlexRIO adapter module to secure it to the NI FlexRIO FPGA module. NI recommends using the laser-tipped screwdriver (part number 748677-01) included in the NI PXIe-7972R packaging.
- Launch LabVIEW to begin configuring your NI FlexRIO system.



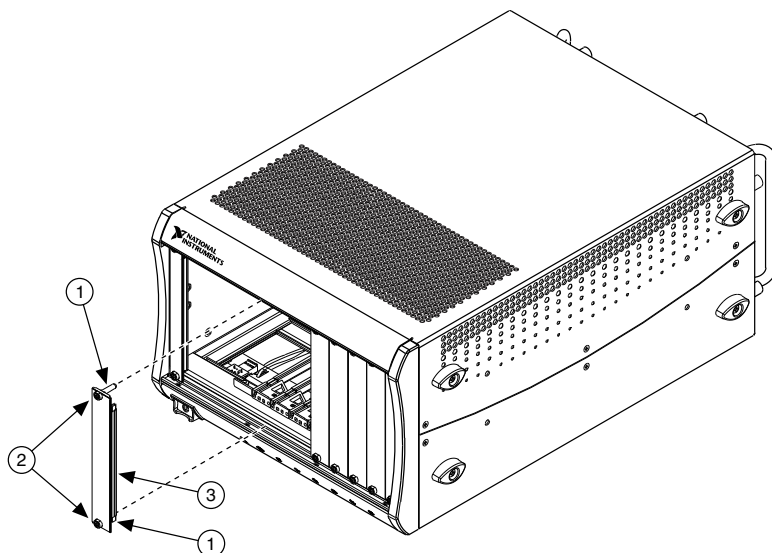
Note MAX only recognizes FPGA modules that are in the chassis. Your adapter module will not appear in MAX.

Installing PXI EMC Filler Panels

To ensure specified EMC performance, PXI EMC filler panels must be properly installed in your NI FlexRIO system. The PXI EMC filler panels (National Instruments part number 778700-01) must be purchased separately.

1. Remove the captive screw covers.
2. Install the PXI EMC filler panels by securing the captive mounting screws to the chassis, as shown in the figure below. Make sure that the EMC gasket is on the right side of the PXI EMC filler panel.

Figure 6. PXI EMC Filler Panels and Chassis



1. Captive Screw Covers
2. Captive Mounting Screws
3. EMC Gasket

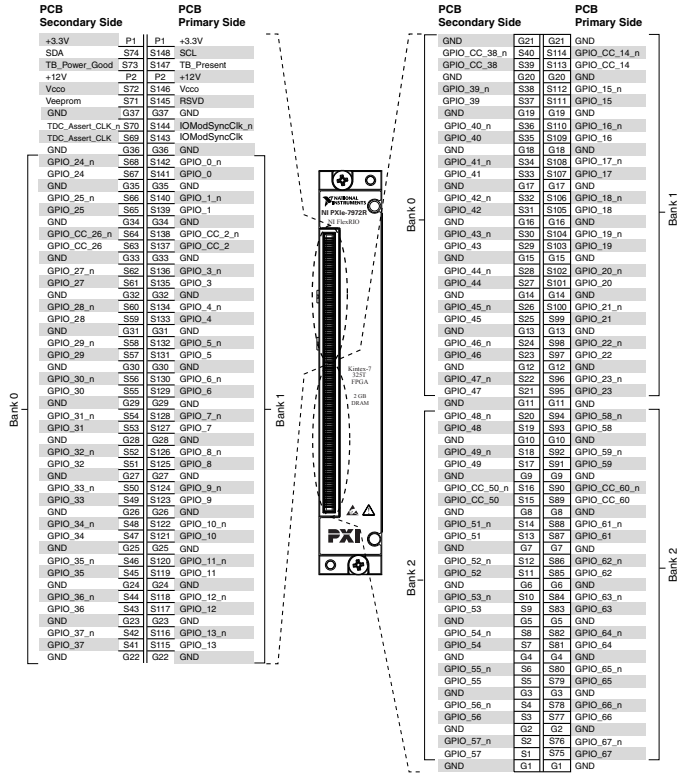


Note You must populate all slots with a module or a PXI EMC filler panel to ensure proper module cooling. Do not over tighten screws (2.5 lb · in. maximum). For additional information about the use of PXI EMC filler panels in your PXI system, visit ni.com/info and enter `emcpanels`.

NI FlexRIO FPGA Module Signals

The following figure shows the available signals on the NI FlexRIO FPGA module. Refer to your adapter module specifications for your adapter module pinout.

Figure 7. NI FlexRIO FPGA Module Front Connector Pin Assignments and Locations



Note Pins S72 and S146 are shorted together on the NI 7972R.

Related Information

Installing the Application Software and Driver on page 5

Compliance and Certifications

Safety

This product is designed to meet the requirements of the following electrical equipment safety standards for measurement, control, and laboratory use:

- IEC 61010-1, EN 61010-1
- UL 61010-1, CSA 61010-1



Note For UL and other safety certifications, refer to the product label or the [Online Product Certification](#) section.

Electromagnetic Compatibility

This product meets the requirements of the following EMC standards for electrical equipment for measurement, control, and laboratory use:

- EN 61326-1 (IEC 61326-1): Class A emissions; Basic immunity
- EN 55011 (CISPR 11): Group 1, Class A emissions
- EN 55022 (CISPR 22): Class A emissions
- EN 55024 (CISPR 24): Immunity
- AS/NZS CISPR 11: Group 1, Class A emissions
- AS/NZS CISPR 22: Class A emissions
- FCC 47 CFR Part 15B: Class A emissions
- ICES-001: Class A emissions



Note In the United States (per FCC 47 CFR), Class A equipment is intended for use in commercial, light-industrial, and heavy-industrial locations. In Europe, Canada, Australia, and New Zealand (per CISPR 11), Class A equipment is intended for use only in heavy-industrial locations.



Note Group 1 equipment (per CISPR 11) is any industrial, scientific, or medical equipment that does not intentionally generate radio frequency energy for the treatment of material or inspection/analysis purposes.



Note For EMC declarations, certifications, and additional information, refer to the [Online Product Certification](#) section.

CE Compliance

This product meets the essential requirements of applicable European Directives, as follows:

- 2006/95/EC; Low-Voltage Directive (safety)
- 2004/108/EC; Electromagnetic Compatibility Directive (EMC)

Online Product Certification

To obtain product certifications and the DoC for this product, visit ni.com/certification, search by model number or product line, and click the appropriate link in the Certification column.

Environmental Management

NI is committed to designing and manufacturing products in an environmentally responsible manner. NI recognizes that eliminating certain hazardous substances from our products is beneficial to the environment and to NI customers.

For additional environmental information, refer to the *Minimize Our Environmental Impact* web page at ni.com/environment. This page contains the environmental regulations and directives with which NI complies, as well as other environmental information not included in this document.

Waste Electrical and Electronic Equipment (WEEE)



EU Customers At the end of the product life cycle, all products must be sent to a WEEE recycling center. For more information about WEEE recycling centers, National Instruments WEEE initiatives, and compliance with WEEE Directive 2002/96/EC on Waste Electrical and Electronic Equipment, visit ni.com/environment/weee.

电子信息产品污染控制管理办法（中国 RoHS）



中国客户 National Instruments 符合中国电子信息产品中限制使用某些有害物质指令 (RoHS)。关于 National Instruments 中国 RoHS 合规性信息，请登录 ni.com/environment/rohs_china。(For information about China RoHS compliance, go to ni.com/environment/rohs_china.)

Electromagnetic Compatibility Guidelines

This product was tested and complies with the regulatory requirements and limits for electromagnetic compatibility (EMC) stated in the product specifications. These requirements and limits provide reasonable protection against harmful interference when the product is operated in the intended operational electromagnetic environment.

This product is intended for use in industrial locations. However, harmful interference may occur in some installations, when the product is connected to a peripheral device or test object, or if the product is used in residential or commercial areas. To minimize interference with radio and television reception and prevent unacceptable performance degradation, install and use this product in strict accordance with the instructions in the product documentation.

Furthermore, any changes or modifications to the product not expressly approved by National Instruments could void your authority to operate it under your local regulatory rules.



Caution To ensure the specified EMC performance, operate this product only with shielded cables and accessories.



Caution Refer to the *Read Me First: Safety and Electromagnetic Compatibility* document for important safety and electromagnetic compatibility information. To obtain a copy of this document online, visit ni.com/manuals, and search for the document title.



Caution When exposed to transient electromagnetic phenomena such as electrostatic discharge (ESD) or power surges, this product may experience a temporary upset or other performance degradation that requires more than 10 seconds for self-recovery.



Caution The NI FlexRIO FPGA module front panel interface is sensitive to electrostatic discharge. Use caution when handling the NI FlexRIO FPGA module to prevent damage to the internal components exposed by this interface.



Caution Using the NI 7972R in a manner not described in this document may impair the protection the NI 7972R provides.

Worldwide Support and Services

The National Instruments website is your complete resource for technical support. At ni.com/support, you have access to everything from troubleshooting and application development self-help resources to email and phone assistance from NI Application Engineers.

Visit ni.com/services for NI Factory Installation Services, repairs, extended warranty, and other services.

Visit ni.com/register to register your National Instruments product. Product registration facilitates technical support and ensures that you receive important information updates from NI.

A Declaration of Conformity (DoC) is our claim of compliance with the Council of the European Communities using the manufacturer's declaration of conformity. This system affords the user protection for electromagnetic compatibility (EMC) and product safety. You can obtain the DoC for your product by visiting ni.com/certification. If your product supports calibration, you can obtain the calibration certificate for your product at ni.com/calibration.

National Instruments corporate headquarters is located at 11500 North Mopac Expressway, Austin, Texas, 78759-3504. National Instruments also has offices located around the world. For telephone support in the United States, create your service request at ni.com/support or dial 1 866 ASK MYNI (275 6964). For telephone support outside the United States, visit the *Worldwide Offices* section of ni.com/niglobal to access the branch office websites, which provide up-to-date contact information, support phone numbers, email addresses, and current events.

Refer to the *NI Trademarks and Logo Guidelines* at ni.com/trademarks for information on National Instruments trademarks. Other product and company names mentioned herein are trademarks or trade names of their respective companies. For patents covering National Instruments products/technology, refer to the appropriate location: **Help»Patents** in your software, the `patents.txt` file on your media, or the *National Instruments Patent Notice* at ni.com/patents. You can find information about end-user license agreements (EULAs) and third-party legal notices in the readme file for your NI product. Refer to the *Export Compliance Information* at ni.com/legal/export-compliance for the National Instruments global trade compliance policy and how to obtain relevant HTS codes, ECCNs, and other import/export data. NI MAKES NO EXPRESS OR IMPLIED WARRANTIES AS TO THE ACCURACY OF THE INFORMATION CONTAINED HEREIN AND SHALL NOT BE LIABLE FOR ANY ERRORS. U.S. Government Customers: The data contained in this manual was developed at private expense and is subject to the applicable limited rights and restricted data rights as set forth in FAR 52.227-14, DFAR 252.227-7014, and DFAR 252.227-7015.

© 2014 National Instruments. All rights reserved.

373979B-01 Jul14